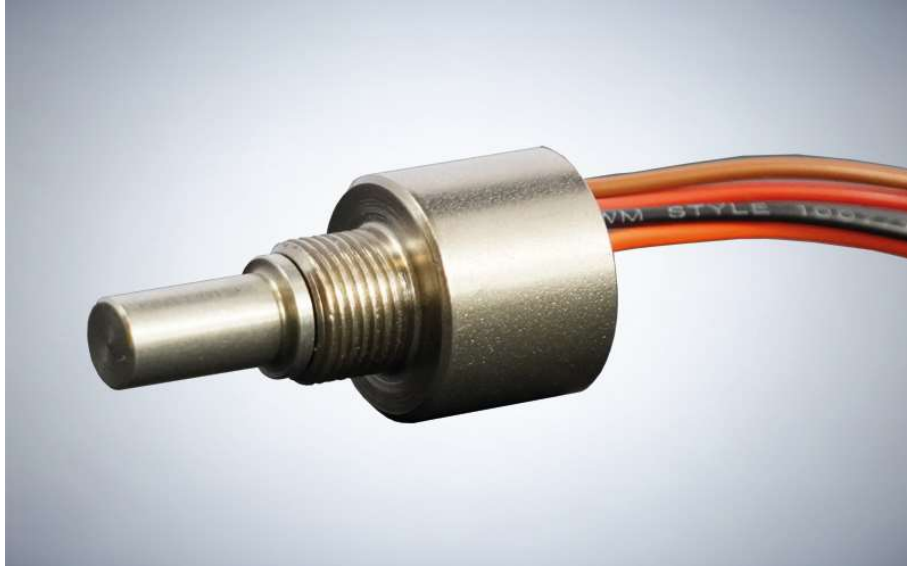


BGE16 A/B SIGNAL ENCODER WITHOUT PUSHBUTTON**DESCRIPTION**

Electronic rotary pulse generator in a very compact design for quick and easy adjustment of digital values. Also suitable for motion and angle tracking up to 33.000 rpm. Recognition of rotation sense via quadrature signals (AB-track signals).

TECHNICAL DATA

CONSTRUCTION AND MECHANICAL DATA

ANGLE RESOLUTION	max. 10 bit
DETENT GRADUATION	none
MOUNTING	central mounting M10x0,75
PROTECTION CLASS	IP54 or IP65
DETENT MECHANISM	none
DETENT TORQUE WITH INDEX	n.a.
BEARING	friction
SWITCHING BUTTON ACTUATION FORCE	n.a.
SWITCHING PATH	n.a.
FASTENING TORQUE MAX.	approx. 3 Nm
MAX. LOAD ON SHAFT	axial: 10 N radial: 4 N
LIFE EXPECTANCY	> 2x10 ⁶ 180° left-right cycles
SHAFT LENGTH	customizable
REVOLUTION SPEED MAX.	max. 33.000 rpm
SHAFT DESIGN	customizable
PUSHBUTTON / SWITCHING FUNCTION	n.a.
REACH AND ROHS	conform

ELECTRICAL DATA

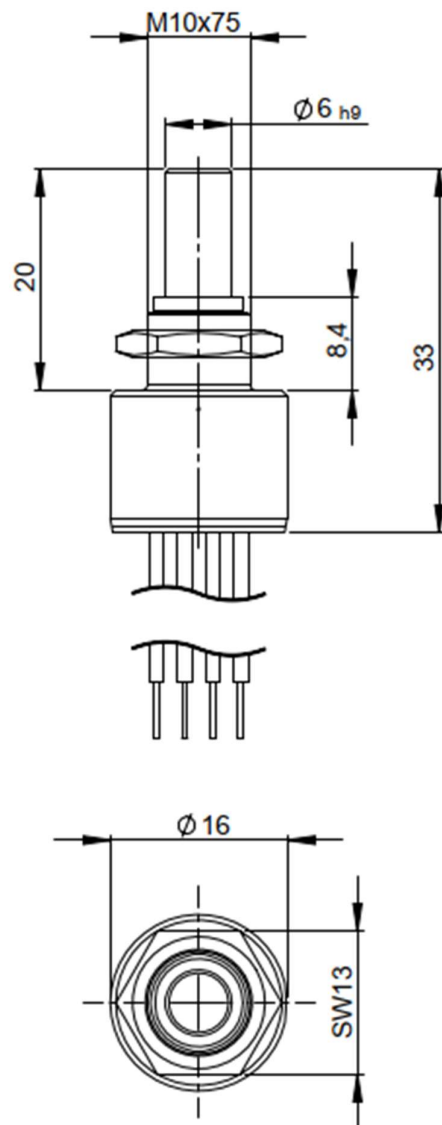
OPERATION VOLTAGE	5 VDC ± 10 % or 3,3 VDC ± 10 %
CURRENT CONSUMPTION	< 25 mA
OUTPUT SIGNAL	AB track signals TTL: high > Vcc -0,5 V, low < Vss +0,5 V capacity max. 4 mA per output
INDICATOR OF REVOLUTION DIRECTION	AB track signals
RESOLUTION	standards: 64, 128 and 256 lines AB others on request
CONNECTOR	standard: 4 open wires connector is customizable

ENVIRONMENTAL CONDITIONS

OPERATING TEMPERATURE	-40°C to +85°C
STORAGE TEMPERATURE	-40°C to +125°C

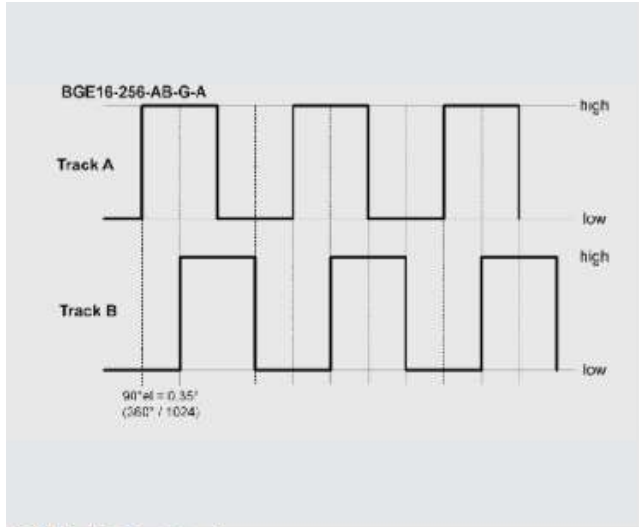
PINOUT AND DRAWING

CABLE COLOUR	SIGNAL
YELLOW	Track A
GREEN	Track B
WHITE	Vcc
BROWN	Vss



Units in mm

OUTPUT SIGNAL



BGE 16 - AB Track signal

DISCLAIMER

The information contained in this document is for general guidance only. The user is responsible for determining the suitability of the technical information referred to herein for his application. On delivery of the component, EBE is only obliged to implement those properties set out and agreed upon in this technical data sheet. Further properties are not included. No guarantee is given. The component has been designed for installation in our customer's products. Manufacturer of the resulting product and consequent liability according to the Product Liability Act lies with the customer.

REVISION

REVISION	DATE	DESCRIPTION
1.0	25.04.2023	Initial Product Information Sheet BGE16-64-AB-G-A