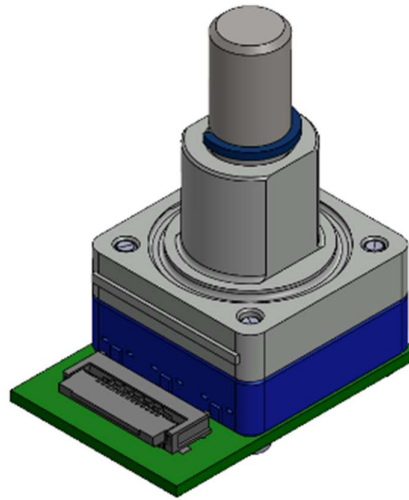


ESC17 mini ENCODER WITH PUSHBUTTON**Part No. 4843522018****DESCRIPTION**

Electronic rotary encoder with wear-free HALL-sensing module for signal generation and integrated push button function. Digit-exact fine adjustment through precise mechanical detent with high rotational life. Perfect for use in harsh environments like dust, aggressive atmosphere, etc.

TECHNICAL DATA

CONSTRUCTION AND MECHANICAL DATA

DETENT ANGLE	22,5°
DETENT GRADUATION	16
MOUNTING	central mounting
PROTECTION CLASS	IP65 to the frontside
DETENT MECHANISM	mechanic
DETENT TORQUE WITH INDEX	approx. 4,5 Ncm ±30%
BEARING	friction
SWITCHING BUTTON ACTUATION FORCE	approx. 7 N
SWITCHING PATH	approx. 0.7 mm
FASTENING TORQUE MAX.	2,0 Nm
MAX. LOAD ON SHAFT	axial: tbd. radial: tbd.
LIFE EXPECTANCY ROTATION	> 1.000.000 turns
PUSH BUTTON	> 1.000.000 pushes
REVOLUTION SPEED MAX.	tbd.
SHAFT LENGTH	acc. drawing (customizable)
SHAFT DESIGN	acc. drawing (customizable)
PUSHBUTTON / SWITCHING FUNCTION	available

ELECTRICAL DATA

OPERATION VOLTAGE	5 VDC ± 10 %
CURRENT CONSUMPTION	16 mA typ., (max. 20 mA)
OUTPUT SIGNAL	max. 5 mA per output signal A/B
INDICATOR OF REVOLUTION DIRECTION	A/B signal
IMPULSES PER OUTPUT	16 pulses per revolution
PUSHBUTTON	active low
CONNECTOR	ZIF (Molex 2005280060) or similar

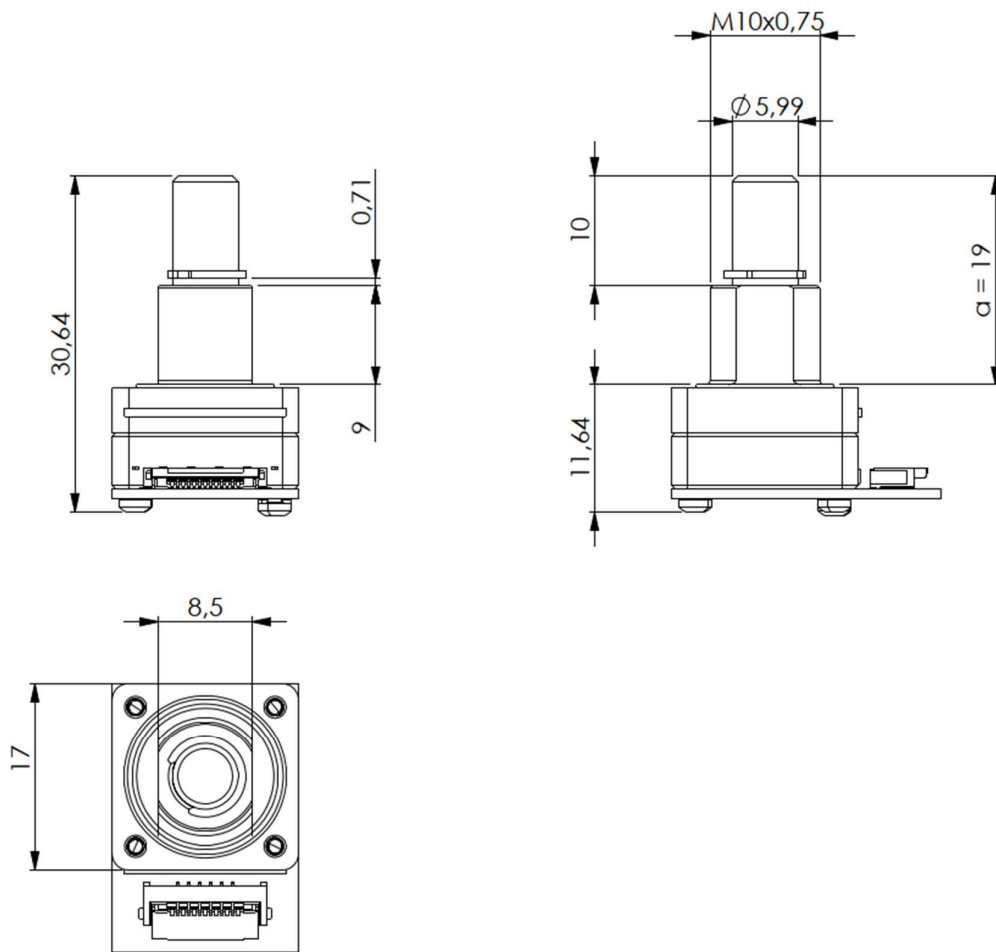
ENVIRONMENTAL CONDITIONS

OPERATING TEMPERATURE	-30°C to +80°C (others on request possible)
STORAGE TEMPERATURE	-40°C to +85°C
REACH AND ROHS	conform

PINOUT AND DRAWINGS

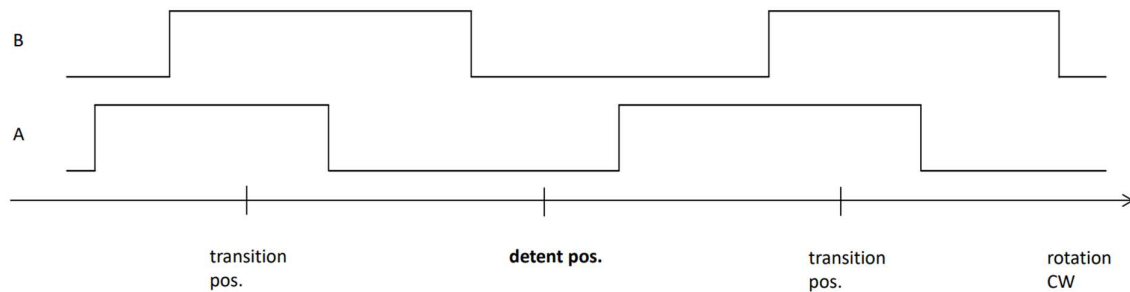
PINOUT

PIN	Signal
1	+5V
2	A
3	B
4	Pushbutton
5	GND
6	ESD



Units in mm

OUTPUT SIGNAL REVOLUTION CW



Pushbutton: active low

DISCLAIMER

The information contained in this document is for general guidance only. The user is responsible for determining the suitability of the technical information referred to herein for his application. On delivery of the component, EBE is only obliged to implement those properties set out and agreed upon in this technical data sheet. Further properties are not included. No guarantee is given. The component has been designed for installation in our customer's products. Manufacturer of the resulting product and consequent liability according to the Product Liability Act lies with the customer.

REVISION

REVISION	DATE	DESCRIPTION
1.1	08.05.2023	Insertion of Push Button life expectancy
1.0	11.04.2023	Initial Data sheet ESC17mini mT ZIF