

ENCODER ECBS 1/1x23gk T=32 mA

EBE Product Number: 2108661-01

Siemens Product Number: A5E50599719



DESCRIPTION

Multi purpose electronic code switch with flexibility in detent angeles.

Full flexibility in output signal as Binary or Gray-Code and many connecting versions.

TECHNICAL DATA

CONSTRUCTION AND MECHANICAL DATA

DETENT ANGLE	11,25°
DETENT GRADUATION	32 per 360° rotation
STOP	Fixed stop with 23 positions
MOUNTING	Central mounting
DETENT MECHANISM	Mechanic
DETENT TORQUE WITH INDEX	Min. 2,5 Ncm; Typ. 3,5 Ncm; Max. 4,5 Ncm
STOP STRENGTH	150 Ncm
FASTENING TORQUE MAX.	250 Ncm
SHAFT LENGTH	Acc. drawing
SHAFT DESIGN	Acc. drawing

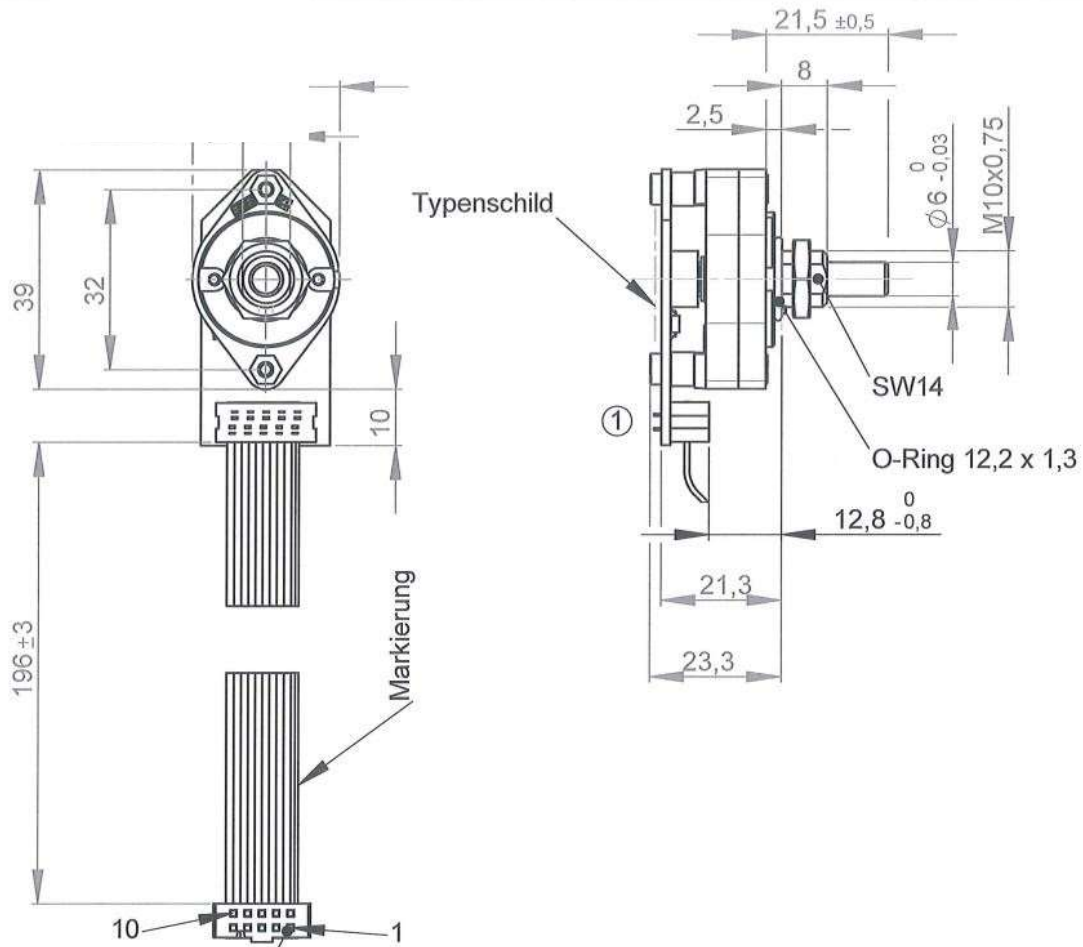
ELECTRICAL DATA

OPERATION VOLTAGE	Min. 3,6V DC Typ. 5,0V DC Max. 5,5V DC
CURRENT CONSUMPTION	Min. 10mA; Typ. 15mA; Max. 20mA (without load) Low-Signal: 6mA
OUTPUT SIGNAL	High Signal: Open collector via Pull-Up 10kOhm on Vcc Low Signal: 0,4 V
SHORT CIRCUIT PROTECTION	Not available
REVERSE POLARITY PROTECTION	Not available
CONNECTOR	Acc. drawing

ENVIRONMENTAL CONDITIONS

OPERATING TEMPERATURE	-25°C ... +85°C
STORAGE TEMPERATURE	-30°C +90°C

DRAWINGS / OTHER INFORMATION



PINOUT

PIN	FUNCTION
1	Reserved
2	Reserverd
3	GND
4	Reserved
5	VCC
6	Value 16
7	Value 8
8	Value 4
9	Value 2
10	Value 1

5. Code Table

„0“ = Pegel 0V

„1“ = open Collector

Position	Pin 6	Pin 7	Pin 8	Pin 9	Pin 10
1	1	1	1	1	0
2	1	1	1	0	0
3	1	1	1	0	1
4	1	1	0	0	1
5	1	1	0	0	0
6	1	1	0	1	0
7	1	1	0	1	1
8	1	0	0	1	1
9	1	0	0	1	0
10	1	0	0	0	0
11	1	0	0	0	1
12	1	0	1	0	1
13	1	0	1	0	0
14	1	0	1	1	0
15	1	0	1	1	1
16	0	0	1	1	1
17	0	0	1	1	0
18	0	0	1	0	0
19	0	0	1	0	1
20	0	0	0	0	1
21	0	0	0	0	0
22	0	0	0	1	0
23	0	0	0	1	1

DISCLAIMER

The information contained in this document is for general guidance only. The user is responsible for determining the suitability of the technical information referred to herein for his application. On delivery of the component, EBE is only obliged to implement those properties set out and agreed upon in this technical data sheet. Further properties are not included. No guarantee is given. The component has been designed for installation in our customer's products. Manufacturer of the resulting product and consequent liability according to the Product Liability Act lies with the customer.

REVISION

REVISION	DATE	DESCRIPTION
1.1	18.07.2023	Translation from German Datasheet of 2108661 to English Version